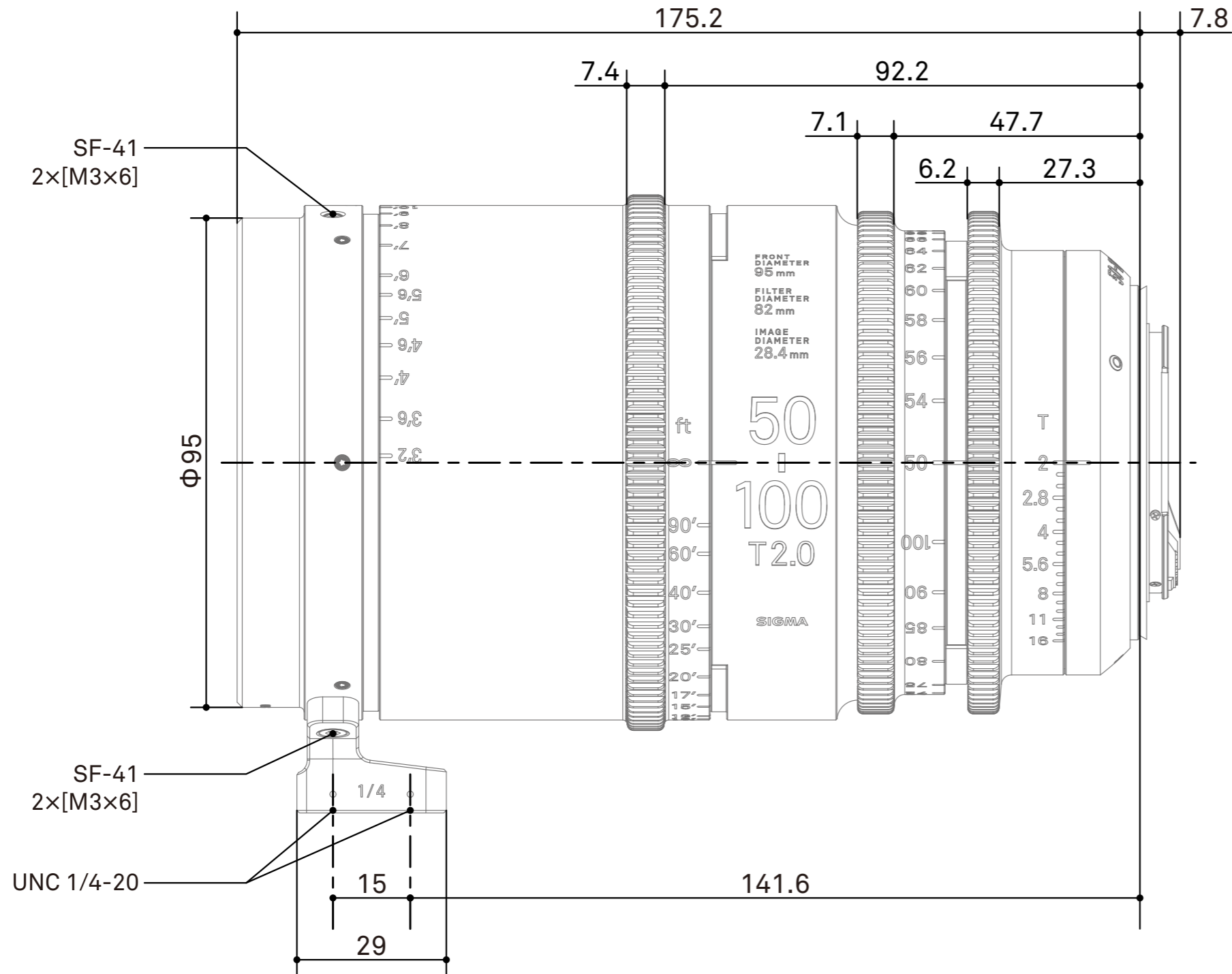


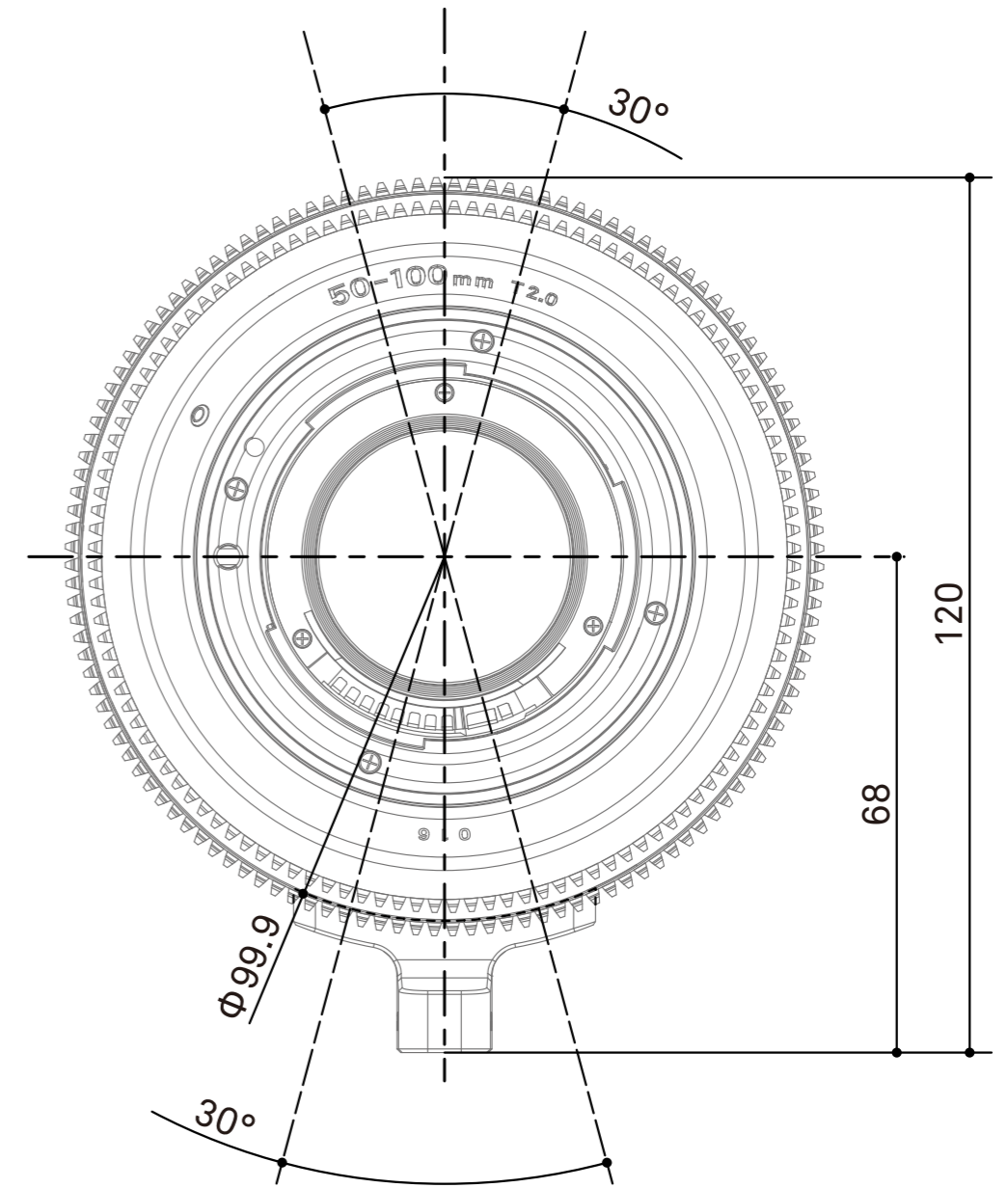
SIGMA

SIGMA 50-100mm T2 Dimensions EF Mount



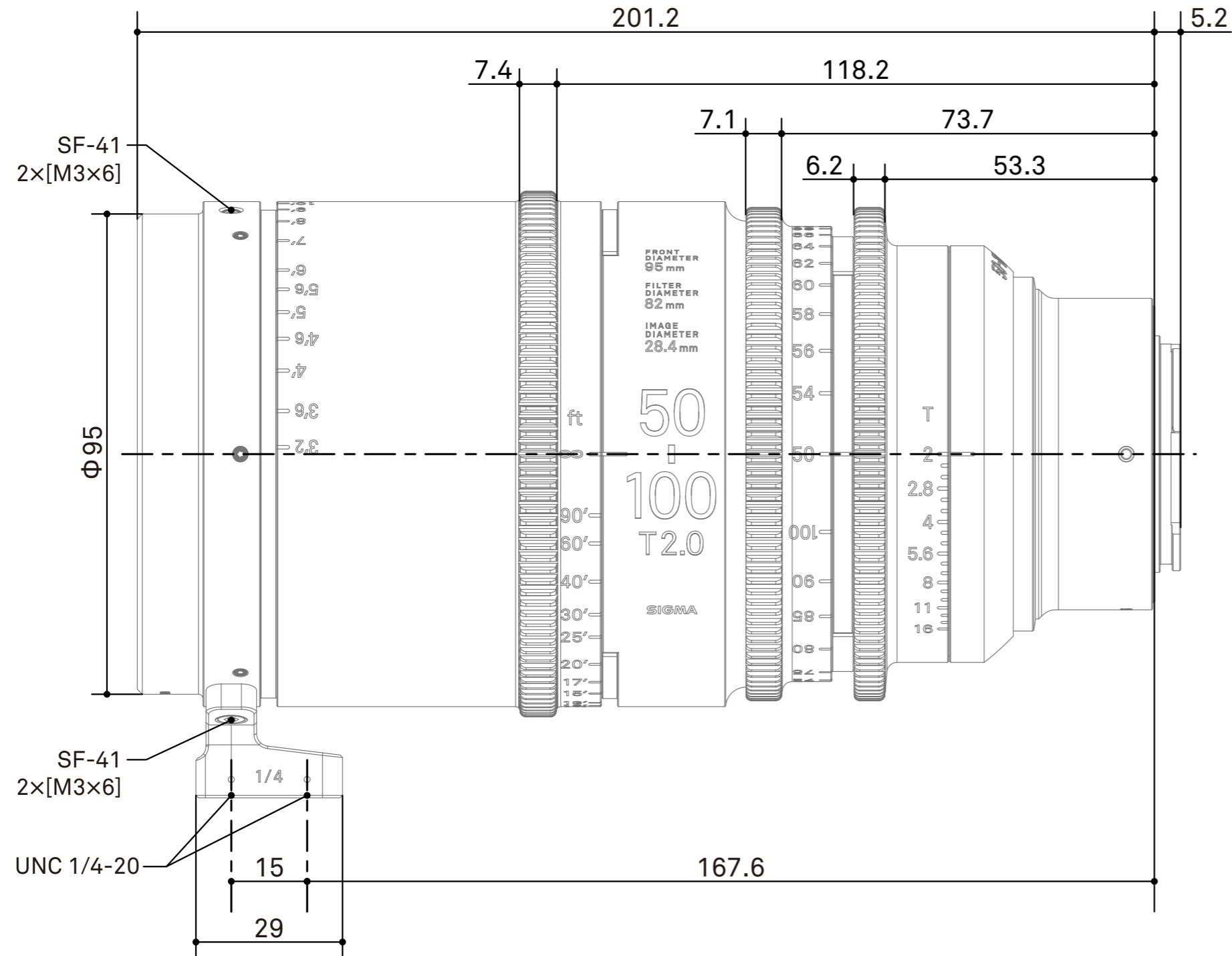
Spur gear specifications

	Focus drive gear	Zoom drive gear	Iris drive gear
Number of teeth	128	120	120
Module	0.8	0.8	0.8
P.C.D	102.4mm	96mm	96mm
Angular rotation	180°	160°	60°



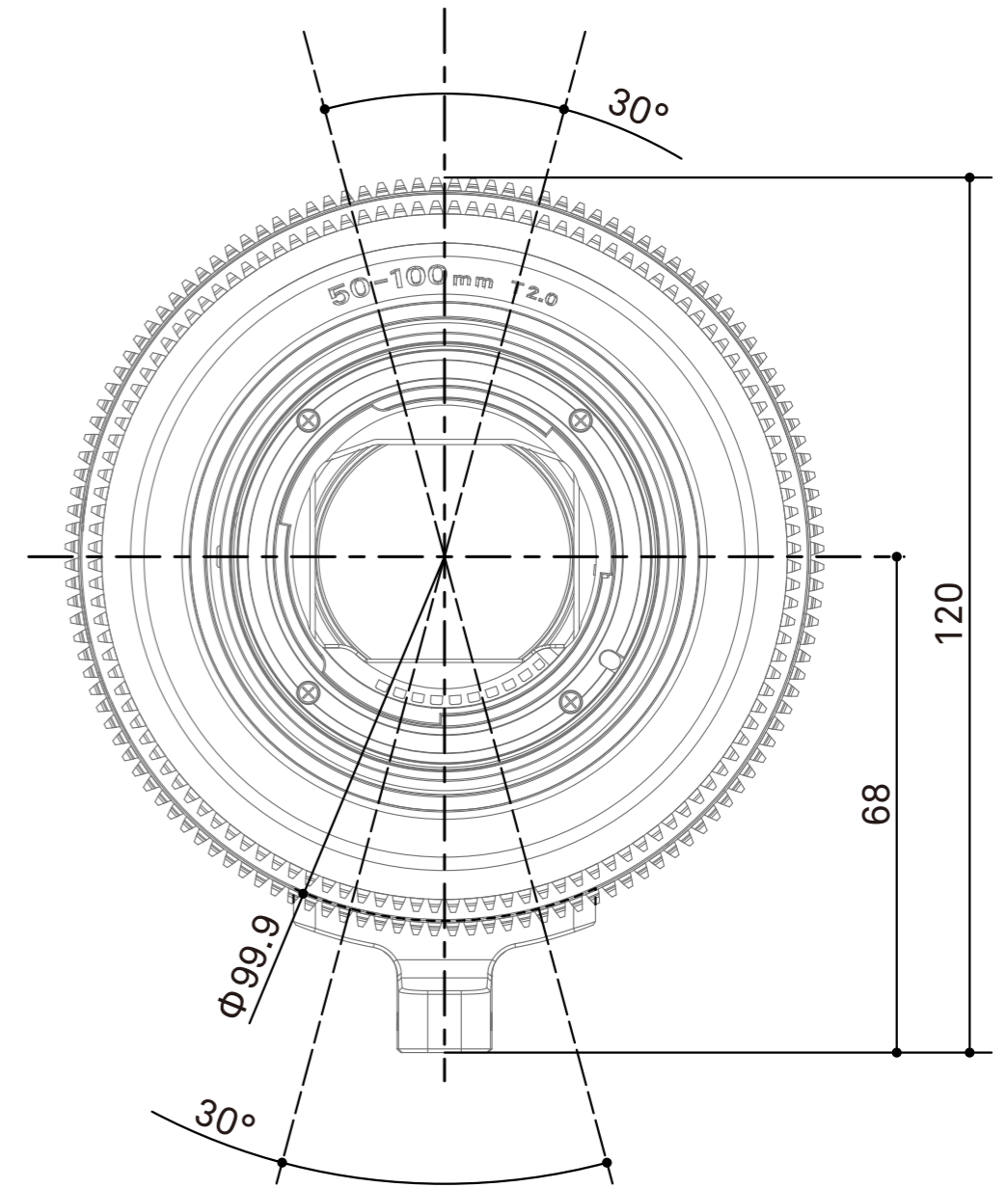
/mm
scale 1:1

SIGMA 50-100mm T2 Dimensions E Mount



Spur gear specifications

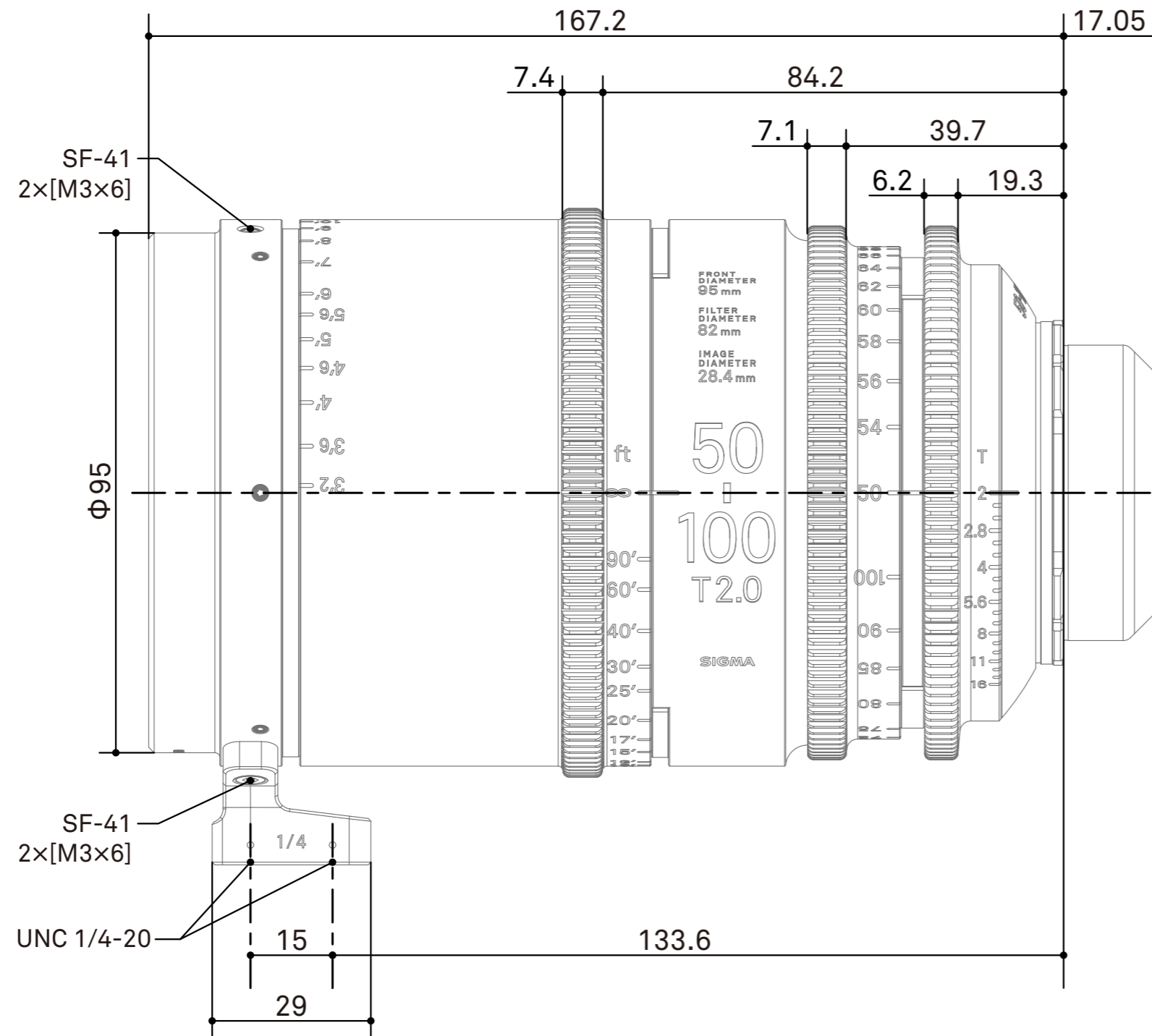
	Focus drive gear	Zoom drive gear	Iris drive gear
Number of teeth	128	120	120
Module	0.8	0.8	0.8
P.C.D	102.4mm	96mm	96mm
Angular rotation	180°	160°	60°



/mm
scale 1:1

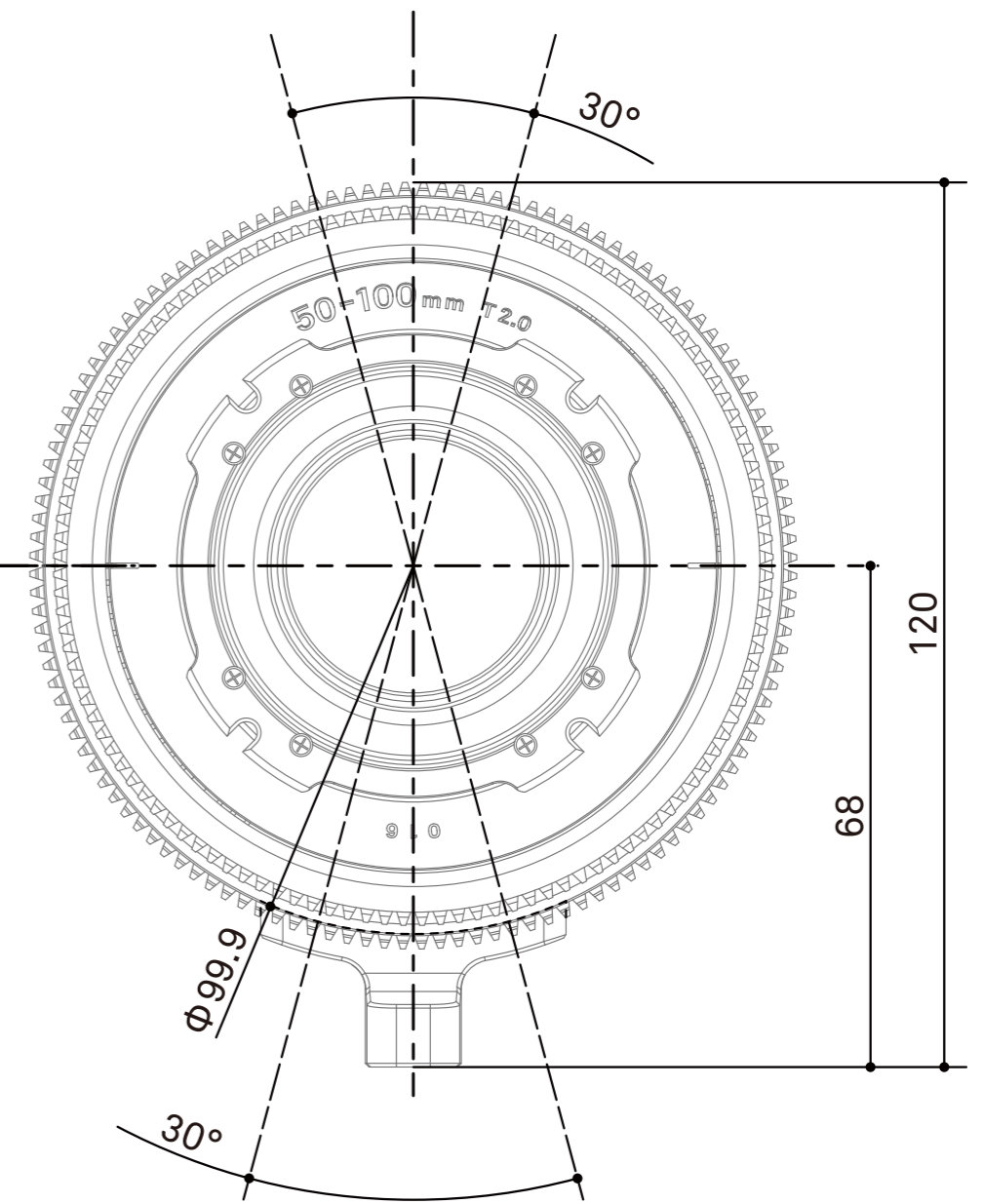
SIGMA

SIGMA 50-100mm T2 Dimensions PL Mount



Spur gear specifications

	Focus drive gear	Zoom drive gear	Iris drive gear
Number of teeth	128	120	120
Module	0.8	0.8	0.8
P.C.D	102.4mm	96mm	96mm
Angular rotation	180°	160°	60°



/mm
scale 1:1